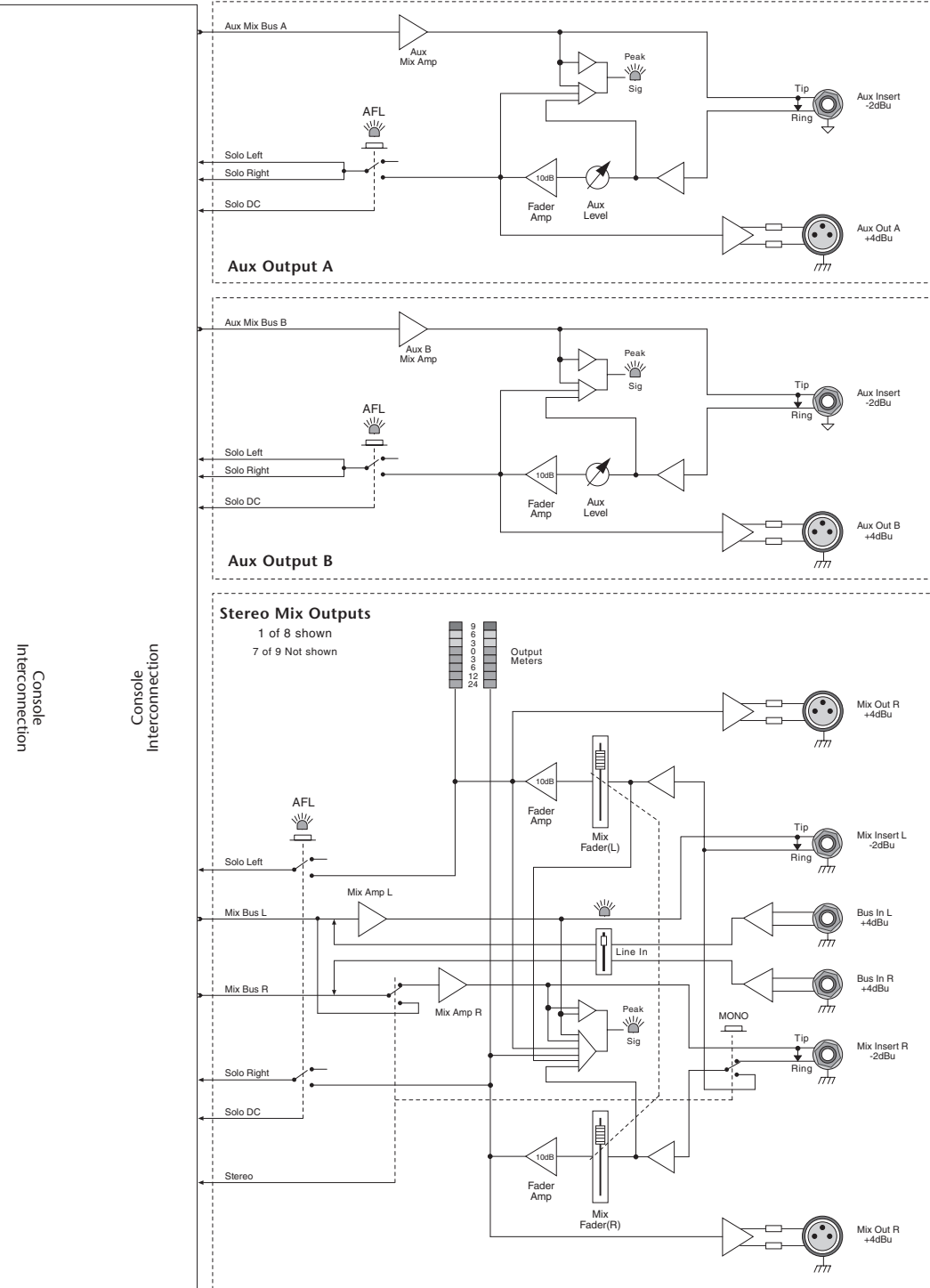
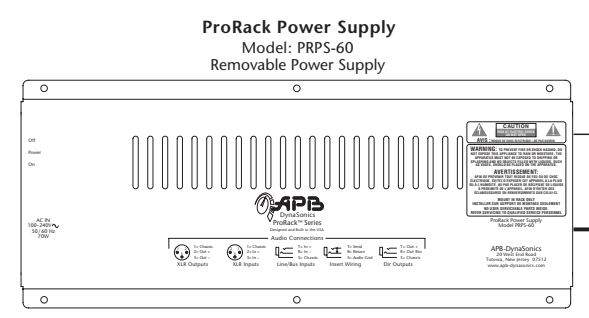


ProRack Monitor Inputs
Channels 1-16

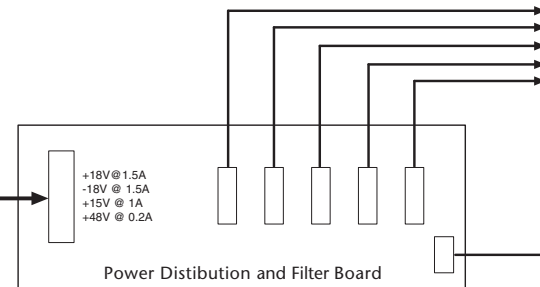


Console Interconnection

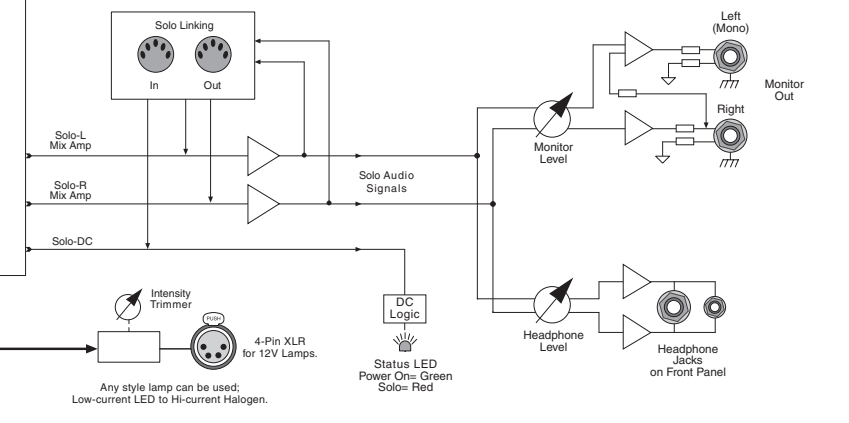
Console Interconnection



The power supply assembly can be removed from the chassis with 6 screws and is easily field-replaceable.



Power Distribution and Filter Board



Any style lamp can be used; Low-current LED to Hi-current Halogen.

Status LED
Power On = Green
Solo = Red

Headphone Level

Headphone Jacks on Front Panel

